

GIROPES



G8R

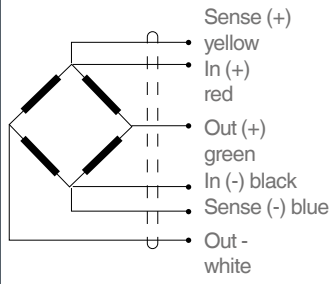
COMPRESSION

min 18.000 kg
max 50.000 kg



APPLICATIONS

High capacity Weighbridge



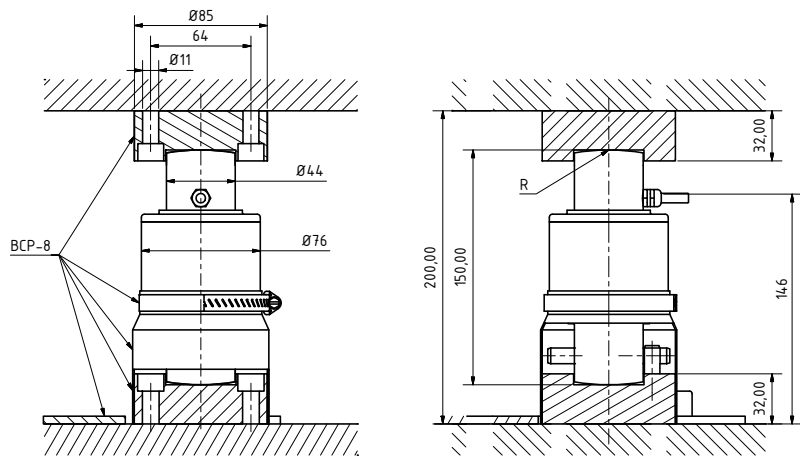
FEATURES

- Compression load cell.
- Load cell de commuting compression
- Stainless steel building
- 4000 divisions OIML R60 class C
- Hermetically sealed laser welded
- Protected against atmospheric discharges with surge arresters
- Protected against humidity IP69k (EN60529)



SPECIFICATIONS

Nominal capacities (Ln)	18-20-25-30-35-40-50 t
Accuracy class	C4 n. OIML
Minimum dead load	0 kg
Service load	120 %Ln
Safe load limit	150 %Ln
Total error	<±0.017 %Sn
Repeatability error	<±0.015 %Sn
Creep error (30 minutes)	<±0.016 %Sn
Temperature limits	-30 - +70 °C
Nominal sensitivity (Sn)	2 mV/V ±1%
Nominal input voltage	10 V
Maximum input voltage	15 V
Input impedance	800±5 Ω
Output resistance	700±5 Ω
No load output	±2 %Sn
Insulation resistance	> 5000 MΩ
Maximum deflection (at Ln)	0.6 - 1 mm



dimensions (mm)

CODE G8R

Reference	Nominal capacity - Ln (t)	Accuracy class n. OIML	y = emax / vmin	Code #
G8R 18	18	C4	15000	230566
G8R 20	20	C4	15000	230567
G8R 25	25	C4	15000	230568
G8R 30	30	C4	15000	230569
G8R 35	35	C4	15000	230570
G8R 40	40	C4	15000	230571
G8R 50	50	C4	15000	230662

CODE G8R WITH ARMoured CABLE

Reference	Description	Code #
G8R 18 CA	Load cell Giropes G8R 18 t - armoured cable	230652
G8R 20 CA	Load cell Giropes G8R 20 t - armoured cable	230653
G8R 25 CA	Load cell Giropes G8R 25 t - armoured cable	230654
G8R 30 CA	Load cell Giropes G8R 30 t - armoured cable	230655
G8R 35 CA	Load cell Giropes G8R 35 t - armoured cable	230656
G8R 40 CA	Load cell Giropes G8R 40 t - armoured cable	230657
G8R 50 CA	Load cell Giropes G8R 50 t - armoured cable	-

GIROPES

ACCESSORIES

G8R



ACCESSORIES

Ref	Description	Code #
AC-G8R	Alloy steel rings set in zinc-plated steel	240036
AC71901i	Stainless steel rings set	240184

For more information see page 49

RINGS SET

G8R

Ref	Description	Code #
AC74902	Superior plate to unite the rings set at a structure (for one load cell).	240037

SUPERIOR PLATE

G8R

Ref	Description	Code #
AC74903	Buttom plate to unite the rings set at a structure (for one load cell).	240038

BOTTOM PLATE

G8R

Ref	Description	Code #
AC74907	Mounting kit lift-off prevention for silo for the load cells G8R (for one load cell)	240040

For more information see page 48

MOUNTING LIFT-OFF
PREVENTION FOR SILO

G8R